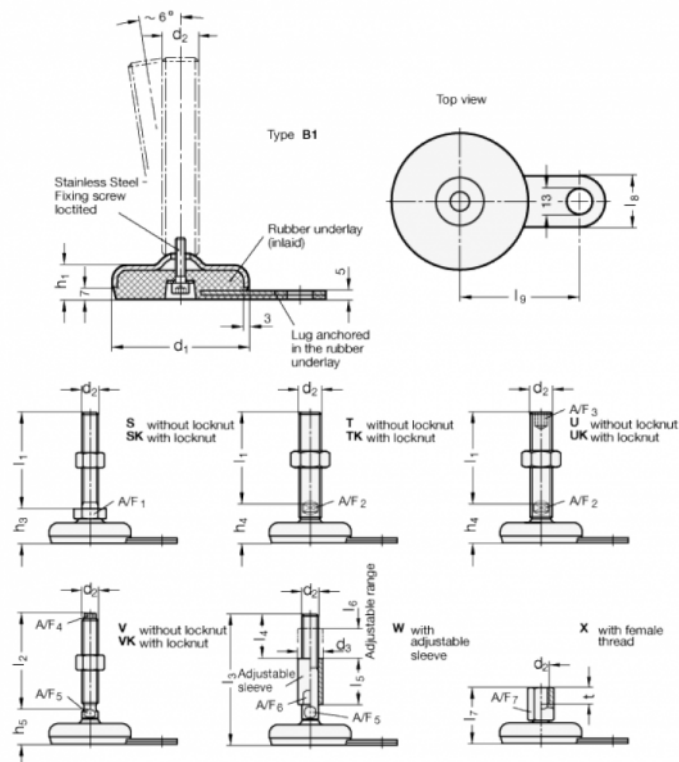


Article number: 203360M841B1X
 Description: E+G levelling foot
 GN 33-60-M8-41-B1-X, Stainless steel
 Note: X With female thread, External hexagon

Measures



A/F7 = 14
 d1 = 60
 d2 = M8
 h1 = 19
 l7 = 41
 l8 = 25
 l9 = 50
 t = 8